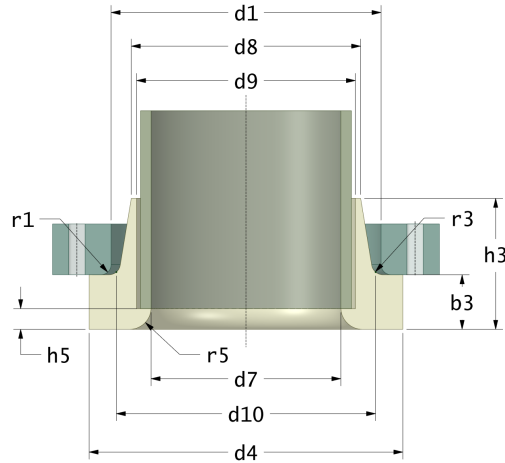
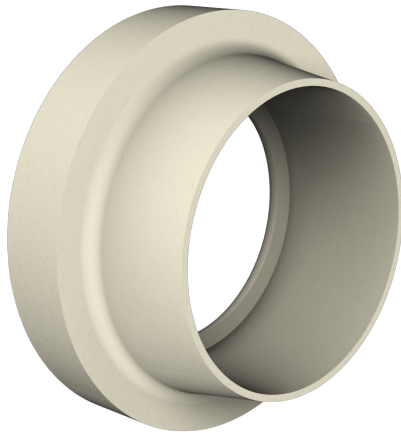


Rotec SMC Stub Flange

Drilling Standard: ANSI B16.5 150



#	DN (mm)	Pmax (bar)	d4 (mm)	d7 (mm)	d9 (mm)	d8 (mm)	d1 (mm)	d10 (mm)	r1 (mm)	r3 (mm)	h5 (mm)	r5 (mm)	h3 (mm)	b3 (mm)	Article Number
1	25	16	55	25	30	36	42	40	3	2	4	2	30	12	SFP-25-25-60-16
2	32	16	68	32	38	45	51	50	3	3	4	3	32	14	SFP-32-32-68-16
3	40	16	78	40	46	53	59	58	3	3	4	3	33	15	SFP-40-40-78-16
4	50	16	88	50	55	64	69	68	4	3	4	3	38	17	SFP-50-50-88-16
5	65	16	102	63	69	78	82	82	4	3	6	4	44	18	SFP-65-63-102-16
6	80	10	122	75	80	90	96	95	4	3	6	4	44	16	SFP-80-75-122-10
7	80	16	122	75	80	90	96	95	4	3	6	4	51	22	SFP-80-75-122-16
8	100	10	158	100	107	118	134	133	5	4	8	4	55	18	SFP-100-100-158-10
9	100	16	158	100	107	118	134	133	5	4	8	4	62	25	SFP-100-100-158-16
10	125	16	188	125	133	142	161	160	5	4	8	4	72	28	SFP-125-125-188-16
11	125	16	188	125	130	142	161	160	5	4	8	4	72	28	SFP-125-126-188-16
12	150	10	212	150	159	173	189	188	5	4	8	4	71	22	SFP-150-150-212-10
13	150	10	212	160	171	180	189	188	5	4	8	4	75	26	SFP-150-161-212-10
14	150	16	212	150	159	173	189	188	5	4	8	4	81	32	SFP-150-150-212-16
15	150	16	212	160	171	180	189	188	5	4	8	4	75	26	SFP-150-161-212-16
16	200	6	268	200	207	220	238	237	6	5	8	4	85	25	SFP-200-200-268-06
17	200	10	268	200	207	220	238	237	6	5	8	4	92	32	SFP-200-200-268-10
18	200	10	268	212	222	228	238	237	6	5	8	4	80	30	SFP-200-212-268-10
19	200	16	268	212	222	228	238	237	6	5	8	4	90	40	SFP-200-212-268-16

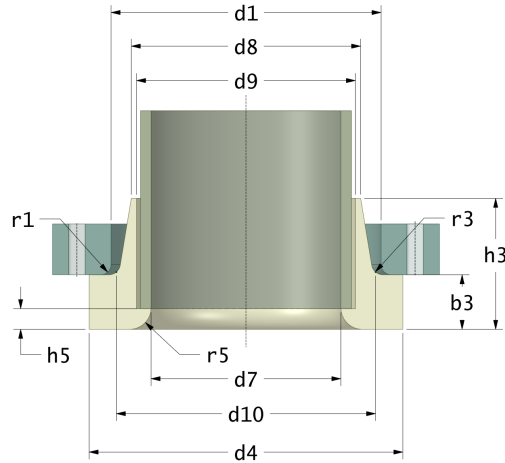
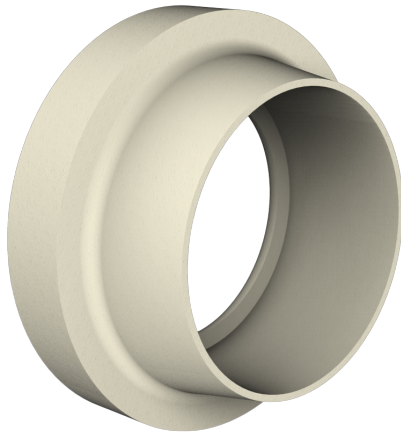
Disclaimer

Whilst every care is taken to ensure that the information on this website is complete and accurate, AdComp Processing Technology Pvt. Ltd. India cannot accept responsibility for any omissions or inaccuracies or for any consequences arising therefrom. By using this website, the user accepts the terms of this disclaimer.

07-02-2023

Rotec SMC Stub Flange

Drilling Standard: ANSI B16.5 150



#	DN (mm)	Pmax (bar)	d4 (mm)	d7 (mm)	d9 (mm)	d8 (mm)	d1 (mm)	d10 (mm)	r1 (mm)	r3 (mm)	h5 (mm)	r5 (mm)	h3 (mm)	b3 (mm)	Article Number
20	250	6	320	250	258	270	294	293	6	5	8	4	101	28	SFP-250-250-320-06
21	250	10	320	250	258	270	294	293	6	5	8	4	111	38	SFP-250-250-320-10
22	250	10	320	262	274	282	294	293	6	5	8	4	111	38	SFP-250-262-320-10
23	250	16	320	252	262	282	294	293	6	5	8	4	103	48	SFP-250-252-320-16
24	250	16	320	262	274	282	294	293	6	5	8	4	103	48	SFP-250-262-320-16
25	300	6	381	300	309	338	348	353	6	5	8	4	117	30	SFP-300-300-381-06
26	300	10	376	313	326	336	348	343	6	5	8	4	100	40	SFP-300-313-376-10
27	300	10	381	300	314	338	348	353	6	5	8	4	127	40	SFP-300-300-381-10
28	300	16	376	313	326	336	348	343	6	5	8	4	115	55	SFP-300-313-376-16

Disclaimer

Whilst every care is taken to ensure that the information on this website is complete and accurate, AdComp Processing Technology Pvt. Ltd. India cannot accept responsibility for any omissions or inaccuracies or for any consequences arising therefrom. By using this website, the user accepts the terms of this disclaimer.

07-02-2023